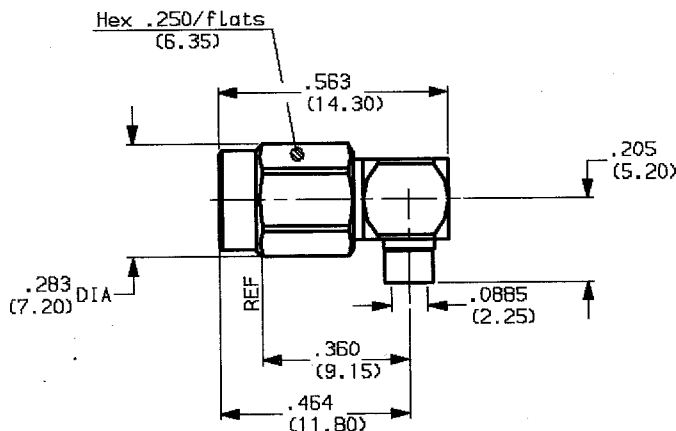


RIGHT ANGLE CABLE PLUG-SOLDER TYPE
CABLE .085

SERIES: SSMA 1 / 1

PEN DEP90.R121.000



MOUNTING HOLE

weight 0.081 oz (2.3 g)

cables:RG 405

CHARACTERISTICS

NOMINAL IMPEDANCE	50 Ω
FREQUENCY RANGE	0-12,4GHz
TEMPERATURE RATING	-65/+115 °C
VSWR	AD Max
RF INSERTION LOSS	AD √F dB Maxi
VOLTAGE RATING	250 Vrms Maxi
DIELECTRIC WITHSTANDING VOLTAGE	750 Vrms mini
INSULATION RESISTANCE	5000 MΩ mini
HERMETIC SEAL	NA cc/s Atm.cm3/s
LEAKAGE (pressurized only)	NA psi MPa

STANDARDISATION

CABLE RETENTION

CENTER CONTACT RETENTION

Axial force - mating
Axial force - opposing
Torque (Min)

RECOMMENDED TORQUES

Mating
Panel nut
Clamp nut

CONSTRUCTION

CONNECTOR PARTS	MATERIALS	FINISH
BODY	BERYLLIUM COPPER	NICKEL
OUTER CONTACT	-	-
CENTER CONTACT	BERYLLIUM COPPER	GOLD OVER NICKEL
INSULATORS	PTFE	-
COUPLING NUT	STAINLESS STEEL	PASSIVATED
BASKET	SILICON	-
-	-	-
-	-	-
-	-	-

ISSUE	REVISION No	DESCRIPTION	BY	DATE
9338	93.01.006	0.18GHz → 0.12,4GHz	BERTHET	21.9.93

Initiated on 06-SEP-90

The information given here is subject to change without notice. Design changes may be in order to improve the product.



Superseded on